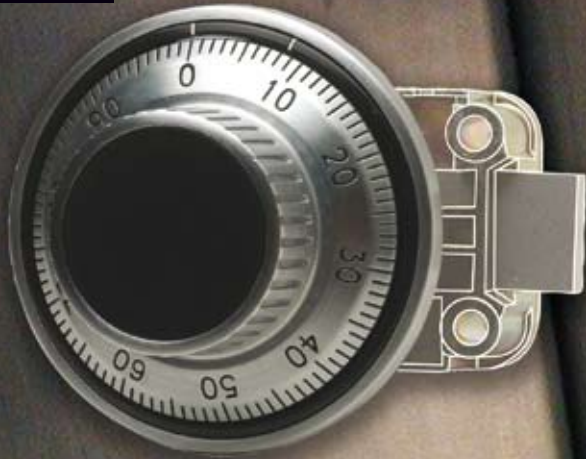


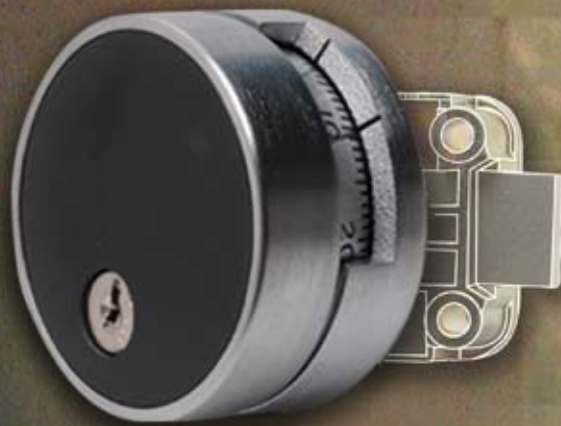
MECHANICAL COMBINATION LOCKS

APPROVED FOR ATM USE

3 WHEEL LOCK



4 WHEEL LOCK



The mechanical combination lock is a manipulation-proof combination lock

3 WHEEL LOCK (ATM USE APPROVED)

- ⊕ Brand new patented design.
- ⊕ Reduced manufacturing costs due to shorter and simplified installation.
- ⊕ New design overcomes the need to open the lock body during installation. This saves time and money, and eliminates installation errors.
- ⊕ False drop arm to increase manipulation proofing.
- ⊕ New design increases reliability.
- ⊕ Unique single piece punched wheels eliminates wheel locking issues when changing combinations.
- ⊕ Various security ratings including UL and Vds.

4 WHEEL LOCK

- ⊕ UL group 1 security rating as well as various other international ratings.
- ⊕ False drop arm to increase manipulation proofing.
- ⊕ Unique single piece punched wheels eliminates wheel locking issue when changing the combination.
- ⊕ No wheel slippage as found in conventional mechanical safe locks wheel packs.
- ⊕ Lockable dials available

APPLICATIONS

- ⊕ Suitable to be fitted to any quality safe
- ⊕ Suitable for all OEM safe applications
- ⊕ Suitable to replace all other brands
- ⊕ Pistol and gun safes.

OPTIONS, VARIATIONS AND ACCESSORIES

- ⊕ UL and VDS rating.
- ⊕ Available in 6 dial variations – 2085, 1777, 1730, 2107, 1763(dial)/1776(pull handle) and 2106(dial)/2109(pull handle).
- ⊕ Two handle options – 2300(with stem) and 2301 (without stem).
- ⊕ Optional “VisionGard” (available in 2 variations) for enhanced security:
 - Top reading for enhanced security.
 - Large diameter dial for added ease of operation.
 - Available in key locking or non-key locking.
 - Attractive semi-domed insert.
 - Can be used with any of our mechanical locks.

Continued on next page >

MECHANICAL KEY LOCK



2122LG



2213LG



2282LG



APPLICATIONS

- ⊕ Security container locking.
- ⊕ Replace mechanical combination locks.
- ⊕ High security key locks.

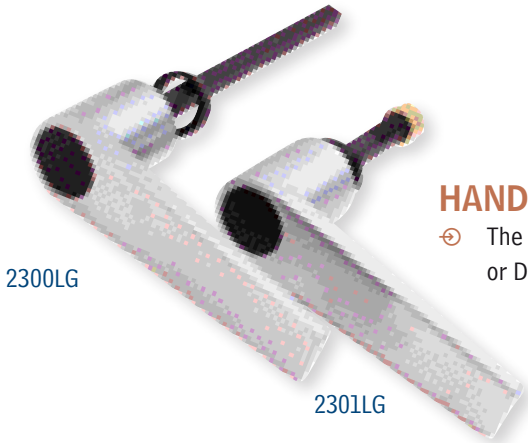
FEATURES

- ⊕ Conventional combination lock footprint.
- ⊕ Various key lengths.
- ⊕ Detachable key tips for use on vault doors.
- ⊕ Specially designed tubular key prevents anyone being able to get a duplicate key cut.

OPTIONS, VARIATIONS AND ACCESSORIES

- ⊕ 4 available key lengths
 - 2212-02 (75mm keys, random cut in pairs)
 - 2212-02 (100mm keys, random cut in pairs)
 - 2212-02 (125mm keys, random cut in pairs)
 - 2212-02 (150mm keys, random cut in pairs)
- ⊕ Also available with detachable key tips and key extension handle of up 12 inches for use with vaults.

MECHANICAL SAFE CONSTRUCTION PARTS

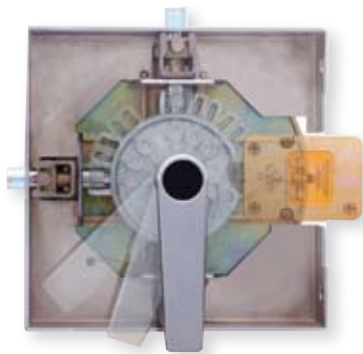


HANDLES

- ⊕ The handles are quality Lagard factory handles. They come in square drive or D drive shafts and are made from quality materials.



2666SC



BOLT WORK

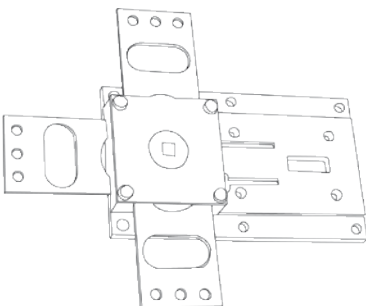
3WBGL

- ⊕ The 3WBGL is specifically designed for the Lagard swing bolt style locks but will operate with all Lagard foot print locks including key locks, mechanical combination locks and square bolt electronic locks. Designed to be operated with the Lagard square shaft handle. The bolt work can work as one, two or three way direction and has integrated security features. Lock not included

2500LG

- ⊕ This is a tried and trusted heavy duty complete 3 way bolt work mechanism. It is only designed to fit with the Lagard electronic swing bolt lock. The lock is not included.

2500LG



HARD PLATE

- ⊕ We can supply hard plate and mounting plates in various sizes and dimensions suitable to mount the Lagard locks. Hard plate can also be supplied to your specifications however minimum orders may apply.

CM PLATE

